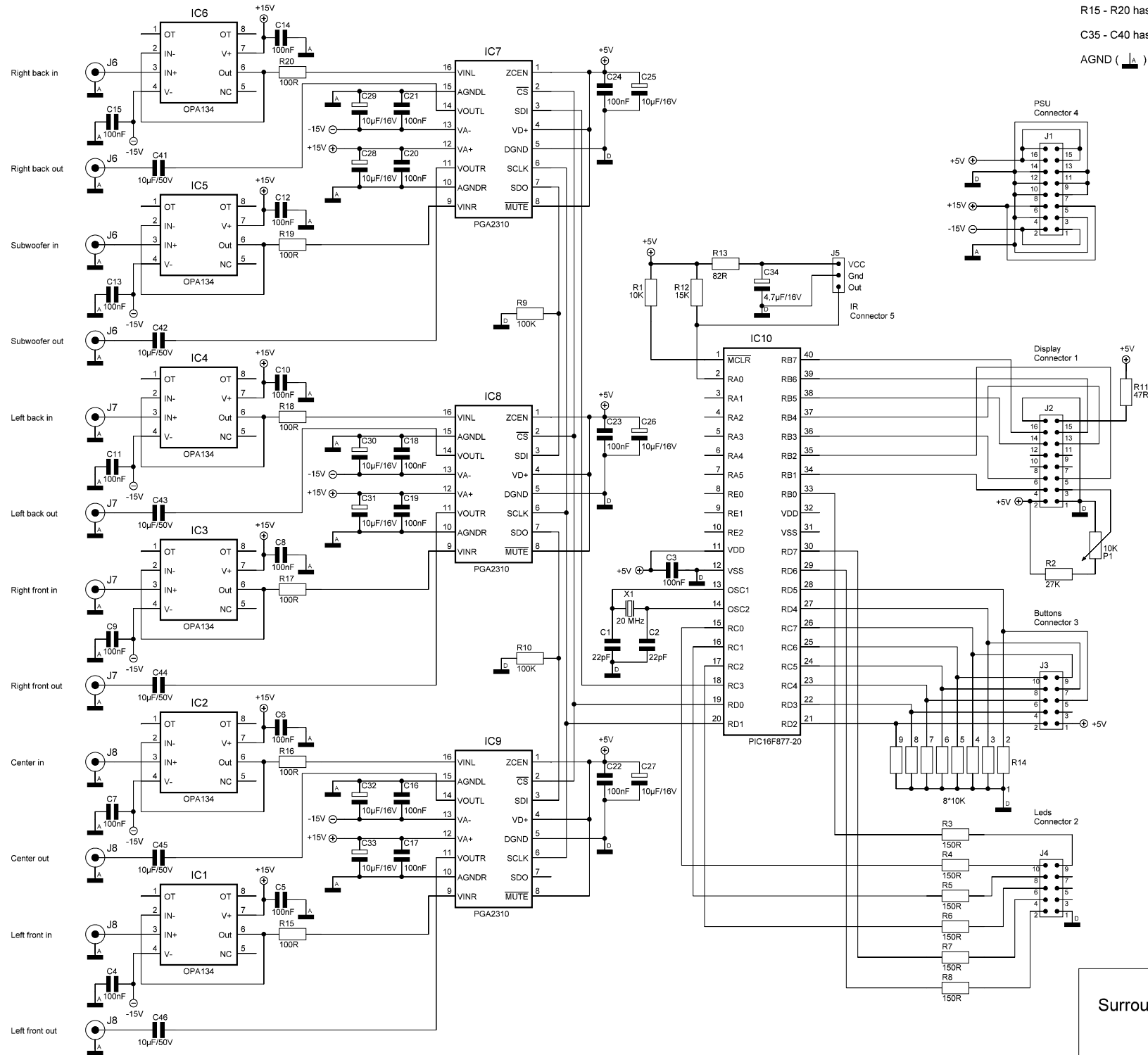



R15 - R20 has been added to the PCB as a modification

C35 - C40 has been removed from the PCB as a modification

AGND (**A**) and DGND (**B**) are connected together at connector 4



Surround preamp



bygselvhifi.dk